



## Harsh Environment Network Video Recorder

# HEU808-WiFi-4G

NVR | 8CH (PoE) | 4K UHD

### Key Features

- 8ch PoE real-time recording & playback simultaneously
- 80Mbps recording bandwidth
- Up to 4K UHD resolution
- Support ONVIF Profile S
- Support H.264, H.265\* Dual Codec
- Support up to 8TB HDD/SSD
- Camera auto detection and simple registration
- IP66 dust and moisture sealed
- Extended +60C operating temperature
- In-built WiFi and 4G Router with external antenna connections
- Remote DVR (Remote DVR control), Service Channel features
- Fully featured remote access desktop software and mobile app
- Industry-first HTML5 Web viewer



### Note

#### 4K UHD More Vivid & Sharper with Ultra High Definition

4K UHD is perfect for large area coverage and identifying objects at great distances. DVR supports 4M QHD (2x greater than Full-HD) and 4K UHD (4x greater than Full-HD) recording.

#### Onvif Profile S

Support latest standard protocol version, ONVIF Profile S, which makes it compatible with 3rd party's IP cameras.

#### Remote DVR (Remote DVR control)

DVR's main screen is copied to remote PC so that user can perform real-time monitoring and control through OSD menu of DVR remotely.

#### Free VMS

Provide Central Monitoring Software (Control Center) for free, supporting Max. 1,024 NVRs with various and great functions.



DVR/NVR



CAMERA



ACCESSORY



SOFTWARE

## Harsh Environment Network Video Recorder

### HEU808-WiFi-4G

#### VIDEO INPUT

Video input	Channel	8CH IP video input (PoE)
	Protocol	WESP, Onvif Profile S
	Format	H264, H265*
	Resolution	1st stream: 720p~4K (H.264/H.265*) 2nd stream: Max. 720p
	Performance	80Mbps
	Stream	RTSP over TCP, RTSP over HTTP
PoE	Not supported	

#### VIDEO OUTPUT

Video output	Port	1HDMI (internal)
	Format	HDMI : 4K/1080p VGA : 1920×1080, 1280×1024, 1024×768, 800×600
	Modes	HDMI: Multi-Screen HDMI: Spot
	Display	Main: 1, 4, 6, 9, 10, 13, 16 split-screen Spot* : 1, 4, 9, 16 split-screen

#### RECORDING

Compression	H.264 / H.265*
Resolution	1st stream : more than 720p 2nd stream : under 720p
Rate	Total 80 fps, Max 30fps/ch @ 4K
Bitrate	1st stream : Max. 8Mbps 2nd stream : Max. 2Mbps
Mode	Continuous / Manual / Emergency
Schedule	24hrs / 7days

#### PLAYBACK

Mode	Instant Playback / Search
Speed	1x, 2x, 4x, 8x, 16x, 32x, 64x
Search type	Time/Calender, Event, Thumbnail(Time, Motion), Text
Block playback	24hours ~ 99days

#### EVENT & ALARM

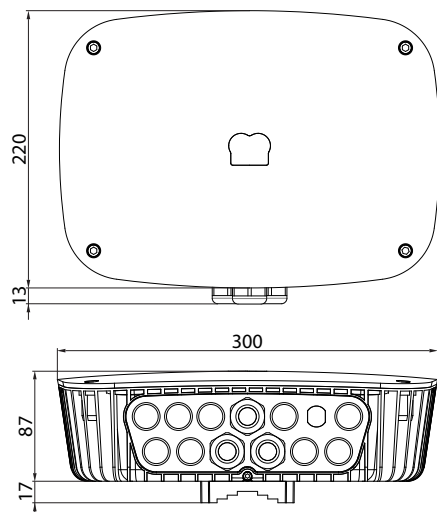
Event source	Motion detection, Sensor input, Video Loss, Text input
Event check Schedule	24hrs / 7days
Event action	Buzzer, E-mail, FTP, Alarm Pop-Up

#### SYSTEM ALARM

Sensor input	Sensor input of IP camera (Max.1ea per Channel)
Text input	POS / ATM support
Alarm source	HDD/SSD fail, HDD almost full, Password fail, WRS Reg fail, HDD/SSD Write Fail, S.M.A.R.T, Power On, Recording Fail
Alarm action	Pop-up Message, Buzzer, E-mail

#### UVZ

UV	UV: [ 4 & ]
----	-------------



#### NETWORK

Interface	1 Gigabit Ethernet RJ-45 port (10/100/1000Mbps)
Protocol	WESP, HTTP, RTSP/RTP, (Onvif), UPnP, RADIUS, TCP/IP, UDP, ARP, ICMP, DHCP, PPPoE, SMTP, SNMP, SNTIP, TLS
DDNS	WNS, DynDNS, NoIP, WRS
TX Performance	100Mbps
NTP	Mode : Server / Client / Both Server : Public / Private
Users	10 Monitoring, 4 Playback, 1 Configuration tool
Service Streaming	Remote Playback, Service Channel, Remote DVR

#### SECURITY

User level	1 admin, 10 users
User privilege	Menu, PTZ, Playback, Power, Copy, Network MIC
IP filtering	10 IP address ranges

#### STORAGE & BACKUP

Storage devices	1 SATA HDD/SSD
RAID Level	External storage including network storage(Level 1/5/10)
File system	WebGate's own filesystem for high-performance NVR Safe data retention in power interrupt
Capacity	Max. 128TB with SATA Max. 256TB with Network Storage 8TB HDD Supported (Recommended to use Pro - Hi Temp version SSDs for internal storage)
Backup type	USB 2.0/3.0(1 port) Max 32GB(FAT32)
Backup device	1 USB 2.0 drive
S.M.A.R.T.	Temperature and Health checking

#### WiFi, 3G/4G Wireless

WiFi	IEEE 802.11b/g/n. 2.4Ghz. Up to 20dBm Tx power
Wireless Router	3G (850/900/2100MHz), 4G/LTE (900/1800/2100/2600MHz)
Antenna Connect	WiFi: 1x N-Female, 3G/4G: 2x N-Male

#### CONTROLLER

Device	Joystick Keyboard, Mouse
--------	--------------------------

#### SOFTWARE

HTML5 Webviewer	Monitoring / Event / PTZ / Playback for browser supporting HTML5
Webviewer	Monitoring / Event / PTZ / Playback for IE
Mobile viewer	Monitoring / Playback / Alarm Push / PTZ / Audio / Log View with iPhone & Android
CMS	Control Center, Max. 1024 Units
SDK	ActiveX(COM) SDK

#### ENVIRONMENTAL & PHYSICAL

Dimension	300(W)×104(D)×243(H)mm (excluding Antennas)
Construction	IP66 rated, Cast Aluminium with UV resistant powder coating
Operating Temperature	-5C ~ +60C
Operating Humidity	80% below, free of condensation
Power	48VDC
Power Consumption	Max. 60W inc. HDD/SSD
Approval	KC, FCC, CE, RoHS